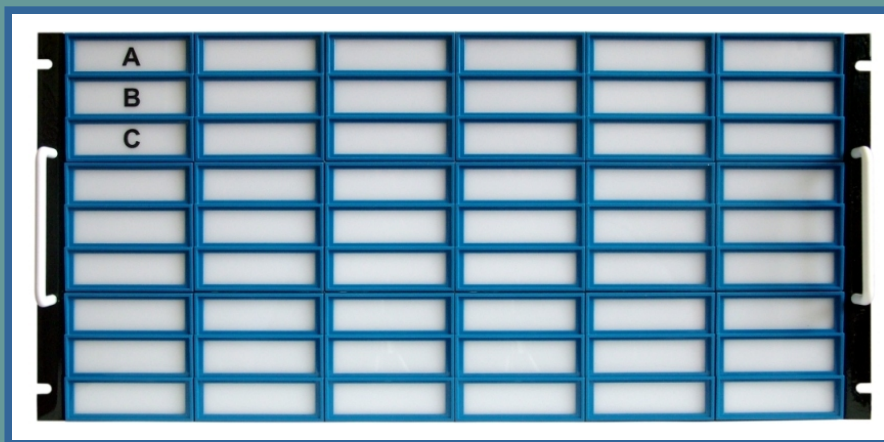


LED BOXES DISPLAY

Series LB-RM
24 Inch Rack Mounting Type - Optional



24 inch
rack mounting



SYSTEM

Enclosures

The series LB-RM 24 inch rack mounting LED Boxes provide maximum flexibility in terms of future expansion, intermix of window sizes and LED test capabilities.

The units feature plug in modules with twelve window sizes, diode gated LED test for dc voltages, and relay type for ac voltages.

Colored bezels and nameplates of plant location or functions and level of priorities of alarm.

Integral pushbutton modules can be installed for LED test and operating controls for remote annunciator logic.

Two isolated screw terminals are supplied for each window for direct external connection or factory wiring to cabinet mounted multipin connectors .This allows interface via multi conductor cables to the driver logic .

Each window is illuminated by two, three, ..., And sixteen LED for increased reliability and uniform light distribution.

Series LB-RM/2410

Rack Mounting Type

Technical Specification

System Size:

Basic Cabinet Module
89 mm (3.5 inch) x 89 mm (3.5 inch)
For Detailed Sizes
Depth Fixed 46 mm (1.8 inch)

Cell Size:

Each Cell 76.2 x 76.2 mm (W x H)

Illumination:

Each Cell twenty White LEDs

Supply Voltage:

12V, 24V, 48V, 115V, 230V (AC/DC)

Window Illumination Current:

Each Cell 30 mA

Legends:

Engraving or Laser Printed

Nameplate Colors:

White, Red, Green, Yellow, Blue and Amber

Bezel Colors:

Black, Dark Grey, Light Grey, Red, Blue, Green, Yellow, Orange and White

Terminals:

Two-part Removable Screw Type
Maximum Wire Size 12 AWG (2.5 mm²)

Push button Modules:

Integral Push button Modules
Offered as an Option

Protection:

FRONT OF PANEL IP41
REAR OF ENCLOSURE IP20

Temperature Range:

Operating 0 to +60 C°
Storage -20 C to 80 C°

Humidity:

0 - 95% RH non-condensing.

Weight:

Approximately 0.2kg per Cell 3.5 x 3.5 inch

ORDERING CODE

LB-RM2410 - 01 06 / 24

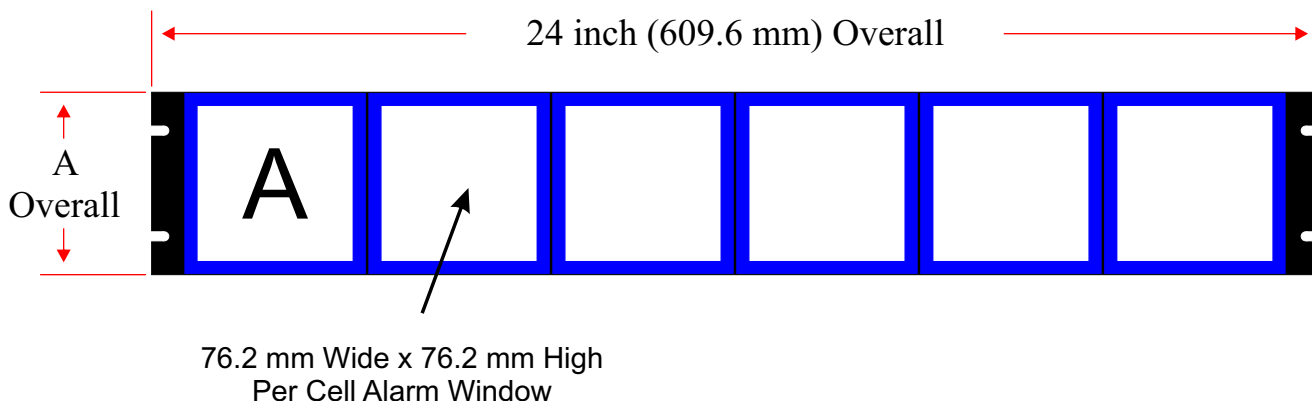
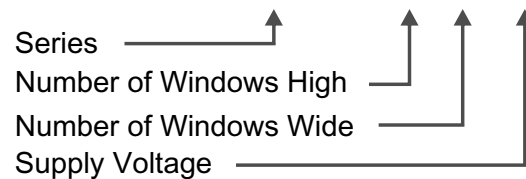




Table Cut Out (Series LB-RM/2410)

Number of Windows High	Number of Windows Wide	A Overall	
		Inch	Millimeter
1	6	3.50	88.90
2	6	7.00	177.80
3	6	10.50	266.70
4	6	14.00	355.60
5	6	17.50	444.50
6	6	21.00	533.40
7	6	24.50	622.30
8	6	28	711.20
9	6	31.50	800.10
10	6	35	889
11	6	38.50	977.9
12	6	42	1066.80
13	6	45.50	1155.70
14	6	49	1244.60
15	6	52.50	1333.50
16	6	56.00	1422.40

Series LB-RM/2420

Rack Mounting Type

Technical Specification

System Size:

Basic Cabinet Module
 89 mm (3.5 inch) x 89 mm (3.5 inch)
 For Detailed Sizes
 Depth Fixed 46 mm (1.8 inch)

Cell Size:

Each Cell 76.2 x 35.5 mm (W x H)

Illumination:

Each Cell ten White LEDs

Supply Voltage:

12V, 24V, 48V, 115V, 230V (AC/DC)

Window Illumination Current:

Each Cell 30 mA

Legends:

Engraving or Laser Printed

Nameplate Colors:

White, Red, Green, Yellow, Blue and Amber

Bezel Colors:

Black, Dark Grey, Light Grey, Red, Blue, Green, Yellow, Orange and White

Terminals:

Two-part Removable Screw Type
 Maximum Wire Size 12 AWG (2.5 mm²)

Push button Modules:

Integral Push button Modules
 Offered as an Option

Protection:

FRONT OF PANEL IP41
 REAR OF ENCLOSURE IP20

Temperature Range:

Operating 0 to +60 C°
 Storage -20 C to 80 C°

Humidity:

0 - 95% RH non-condensing.

Weight:

Approximately 0.2kg per Cell 3.5 x 3.5 inch

ORDERING CODE

LB-RM2420 - 02 06 / 24

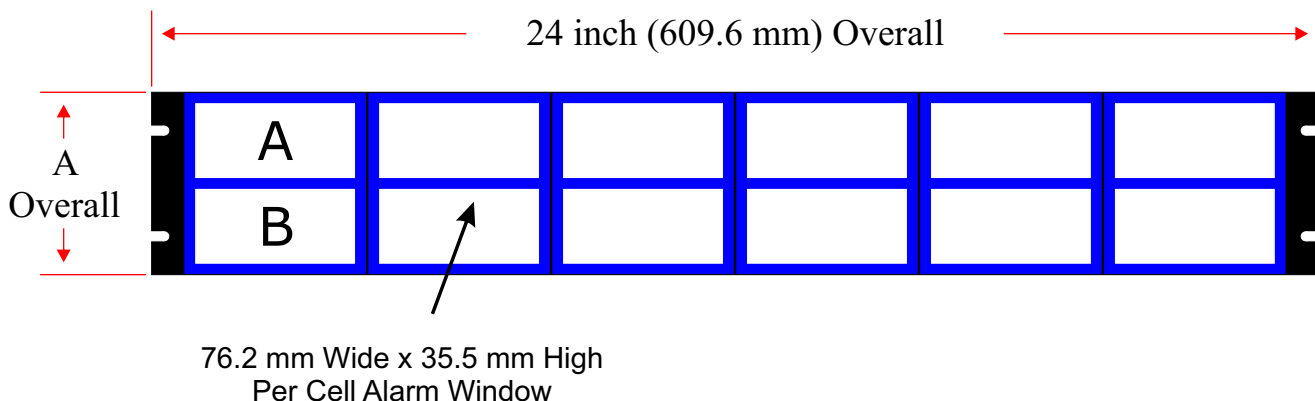
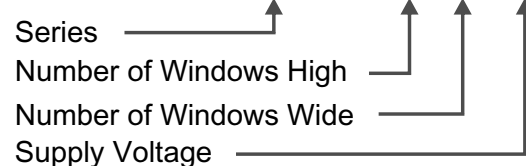




Table Cut Out (Series LB-RM/1920)

Number of Windows High	Number of Windows Wide	A Overall	
		Inch	Millimeter
2	6	3.50	88.90
4	6	7.00	177.80
6	6	10.50	266.70
8	6	14.00	355.60
10	6	17.50	444.50
12	6	21.00	533.40
14	6	24.50	622.30
16	6	28	711.20
18	6	31.50	800.10
20	6	35	889
22	6	38.50	977.9
24	6	42	1066.80
26	6	45.50	1155.70
28	6	49	1244.60
30	6	52.50	1333.50
32	6	56.00	1422.40

Series LB-RM/2430

Rack Mounting Type

Technical Specification

System Size:

Basic Cabinet Module
89 mm (3.5 inch) x 89 mm (3.5 inch)
For Detailed Sizes
Depth Fixed 46 mm (1.8 inch)

Cell Size:

Each Cell 76.2 x 21 mm (W x H)

Illumination:

Each Cell five White LEDs

Supply Voltage:

12V, 24V, 48V, 115V, 230V (AC/DC)

Window Illumination Current:

Each Cell 15 mA

Legends:

Engraving or Laser Printed

Nameplate Colors:

White, Red, Green, Yellow, Blue and Amber

Bezel Colors:

Black, Dark Grey, Light Grey, Red, Blue, Green, Yellow, Orange and White

Terminals:

Two-part Removable Screw Type
Maximum Wire Size 12 AWG (2.5 mm²)

Push button Modules:

Integral Push button Modules
Offered as an Option

Protection:

FRONT OF PANEL IP41
REAR OF ENCLOSURE IP20

Temperature Range:

Operating 0 to +60 C°
Storage -20 C to 80 C°

Humidity:

0 - 95% RH non-condensing.

Weight: Approximately 0.2kg per Cell 3.5 x 3.5 inch

ORDERING CODE

LB-RM2430 - 03 06 / 24

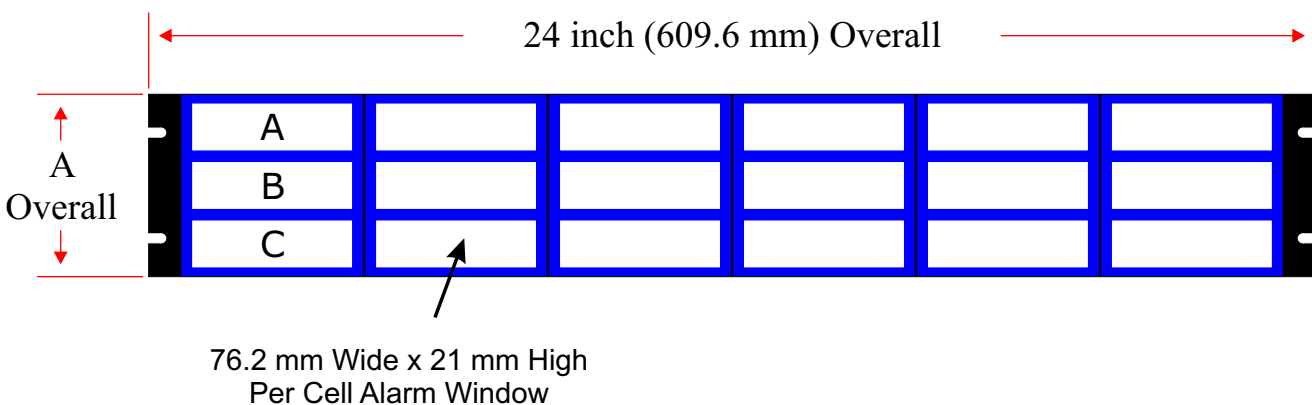
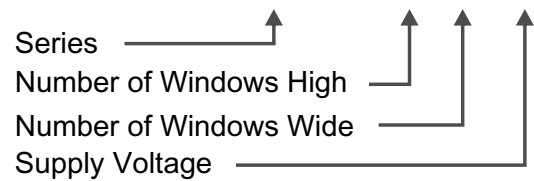




Table Cut Out (Series LB-RM/1930)

Number of Windows High	Number of Windows Wide	A Overall	
		Inch	Millimeter
3	6	3.50	88.90
6	6	7.00	177.80
9	6	10.50	266.70
12	6	14.00	355.60
15	6	17.50	444.50
18	6	21.00	533.40
21	6	24.50	622.30
24	6	28	711.20
27	6	31.50	800.10
30	6	35	889
33	6	38.50	977.9
36	6	42	1066.80
39	6	45.50	1155.70
42	6	49	1244.60
45	6	52.50	1333.50
48	6	56.00	1422.40

Series LB-RM/2440

Rack Mounting Type

Technical Specification

System Size:

Basic Cabinet Module
89 mm (3.5 inch) x 89 mm (3.5 inch)
For Detailed Sizes
Depth Fixed 46 mm (1.8 inch)

Cell Size:

Each Cell 35.5 x 35.5 mm (W x H)

Illumination:

Each Cell four White LEDs

Supply Voltage:

12V, 24V, 48V, 115V, 230V (AC/DC)

Window Illumination Current:

Each Cell 15 mA

Legends:

Engraving or Laser Printed

Nameplate Colors:

White, Red, Green, Yellow, Blue and Amber

Bezel Colors:

Black, Dark Grey, Light Grey, Red, Blue, Green, Yellow, Orange and White

Terminals:

Two-part Removable Screw Type
Maximum Wire Size 12 AWG (2.5 mm²)

Push button Modules:

Integral Push button Modules
Offered as an Option

Protection:

FRONT OF PANEL IP41
REAR OF ENCLOSURE IP20

Temperature Range:

Operating 0 to +60 C°
Storage -20 C to 80 C°

Humidity:

0 - 95% RH non-condensing.

Weight:

Approximately 0.2kg per Cell 3.5 x 3.5 inch

ORDERING CODE

LB-RM2440 - 02 12 / 24

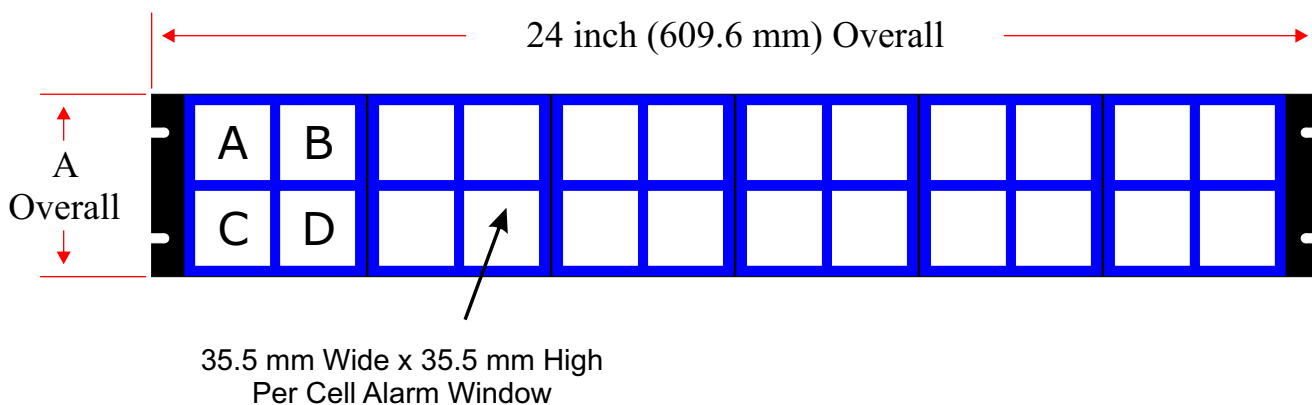
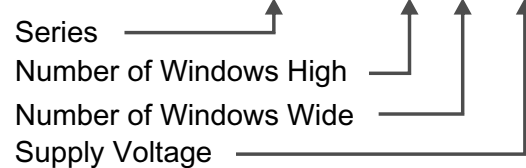




Table Cut Out (Series LB-RM/1940)

Number of Windows High	Number of Windows Wide	A Overall	
		Inch	Millimeter
2	12	3.50	88.90
4	12	7.00	177.80
6	12	10.50	266.70
8	12	14.00	355.60
10	12	17.50	444.50
12	12	21.00	533.40
14	12	24.50	622.30
16	12	28	711.20
18	12	31.50	800.10
20	12	35	889
22	12	38.50	977.9
24	12	42	1066.80
26	12	45.50	1155.70
28	12	49	1244.60
30	12	52.50	1333.50
32	12	56.00	1422.40

Series LB-RM/2460

Rack Mounting Type

Technical Specification

System Size:

Basic Cabinet Module
89 mm (3.5 inch) x 89 mm (3.5 inch)
For Detailed Sizes
Depth Fixed 46 mm (1.8 inch)

Cell Size:

Each Cell 37.5 x 21 mm (W x H)

Illumination:

Each Cell three White LEDs

Supply Voltage:

12V, 24V, 48V, 115V, 230V (AC/DC)

Window Illumination Current:

Each Cell 15 mA

Legends:

Engraving or Laser Printed

Nameplate Colors:

White, Red, Green, Yellow, Blue and Amber

Bezel Colors:

Black, Dark Grey, Light Grey, Red, Blue, Green, Yellow, Orange and White

Terminals:

Two-part Removable Screw Type
Maximum Wire Size 12 AWG (2.5 mm²)

Push button Modules:

Integral Push button Modules
Offered as an Option

Protection:

FRONT OF PANEL IP41
REAR OF ENCLOSURE IP20

Temperature Range:

Operating 0 to +60 C°
Storage -20 C to 80 C°

Humidity:

0 - 95% RH non-condensing.

Weight:

Approximately 0.2kg per Cell 3.5 x 3.5 inch

ORDERING CODE

LB-RM2460 - 03 12 / 24

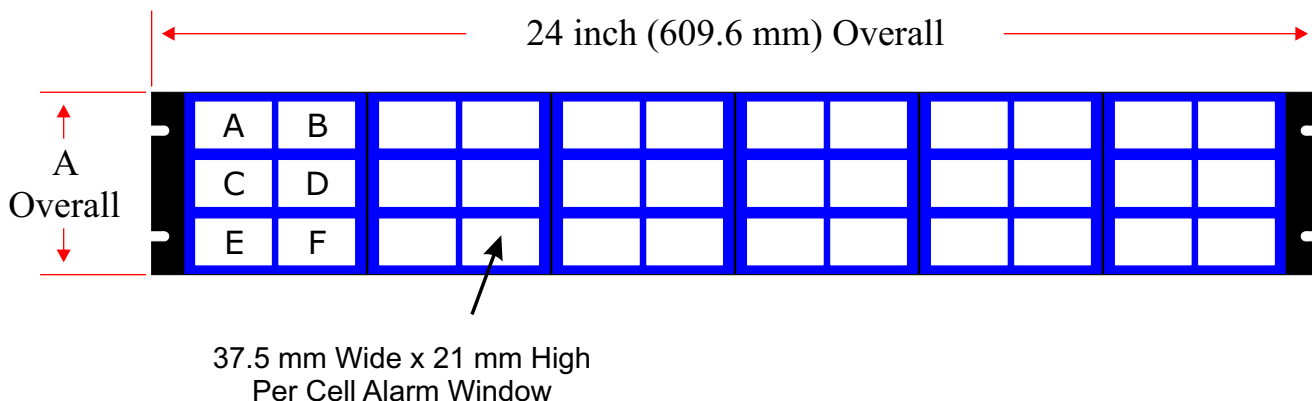
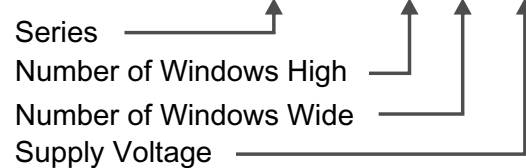




Table Cut Out (Series LB-RM/1960)

Number of Windows High	Number of Windows Wide	A Overall	
		Inch	Millimeter
3	12	3.50	88.90
6	12	7.00	177.80
9	12	10.50	266.70
12	12	14.00	355.60
15	12	17.50	444.50
18	12	21.00	533.40
21	12	24.50	622.30
24	12	28	711.20
27	12	31.50	800.10
30	12	35	889
33	12	38.50	977.9
36	12	42	1066.80
39	12	45.50	1155.70
42	12	49	1244.60
45	12	52.50	1333.50
48	12	56.00	1422.40

Series LB-RM/2460H

Rack Mounting Type

Technical Specification

System Size:

Basic Cabinet Module
89 mm (3.5 inch) x 89 mm (3.5 inch)
For Detailed Sizes
Depth Fixed 46 mm (1.8 inch)

Cell Size:

Each Cell 76.2 x 10 mm (W x H)

Illumination:

Each Cell five White LEDs

Supply Voltage:

12V, 24V, 48V, 115V (AC/DC)

Window Illumination Current:

Each Cell 15 mA

Legends:

Engraving or Laser Printed

Nameplate Colors:

White, Red, Green, Yellow, Blue and Amber

Bezel Colors:

Black, Dark Grey, Light Grey, Red, Blue, Green, Yellow, Orange and White

Terminals:

Two-part Removable Screw Type
Maximum Wire Size 12 AWG (2.5 mm²)

Push button Modules:

Integral Push button Modules
Offered as an Option

Protection:

FRONT OF PANEL IP41
REAR OF ENCLOSURE IP20

Temperature Range:

Operating 0 to +60 C°
Storage -20 C to 80 C°

Humidity:

0 - 95% RH non-condensing.

Weight:

Approximately 0.2kg per Cell 3.5 x 3.5 inch

ORDERING CODE

LB-RM2460H - 06 06 / 24

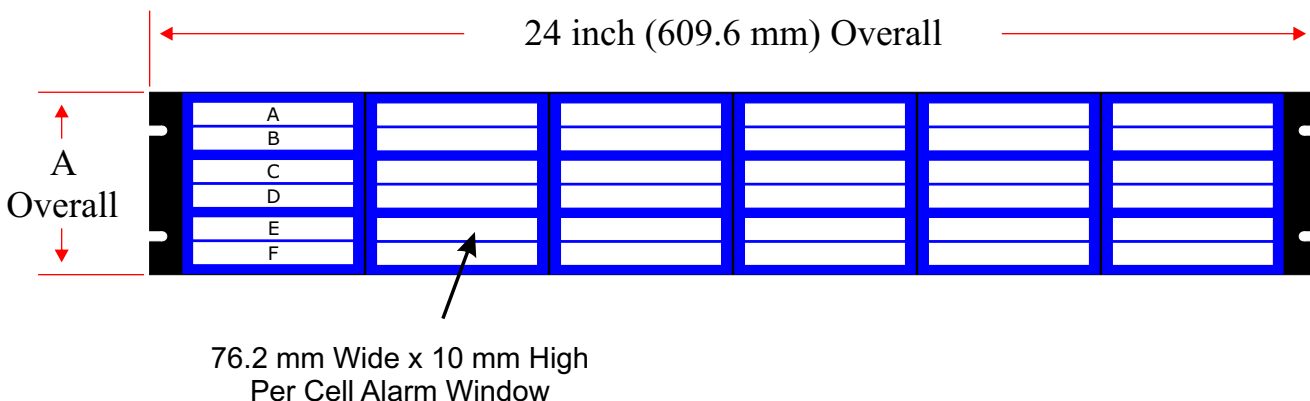
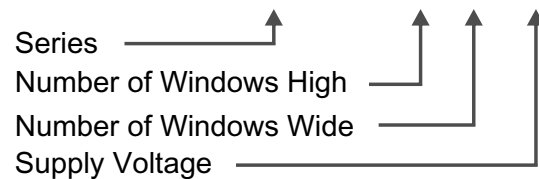




Table Cut Out (Series LB-RM/1960H)

Number of Windows High	Number of Windows Wide	A Overall	
		Inch	Millimeter
6	6	3.50	88.90
12	6	7.00	177.80
18	6	10.50	266.70
24	6	14.00	355.60
30	6	17.50	444.50
36	6	21.00	533.40
42	6	24.50	622.30
48	6	28	711.20
54	6	31.50	800.10
60	6	35	889
66	6	38.50	977.9
72	6	42	1066.80
78	6	45.50	1155.70
84	6	49	1244.60
90	6	52.50	1333.50
96	6	56.00	1422.40

Series LB-RM/2480

Rack Mounting Type

Technical Specification

System Size:

Basic Cabinet Module
89 mm (3.5 inch) x 89 mm (3.5 inch)
For Detailed Sizes
Depth Fixed 46 mm (1.8 inch)

Cell Size:

Each Cell 35.5 x 17.3 mm (W x H)

Illumination:

Each Cell three White LEDs

Supply Voltage:

12V, 24V, 48V, 115V, 230V (AC/DC)

Window Illumination Current:

Each Cell 15 mA

Legends:

Engraving or Laser Printed

Nameplate Colors:

White, Red, Green, Yellow, Blue and Amber

Bezel Colors:

Black, Dark Grey, Light Grey, Red, Blue, Green, Yellow, Orange and White

Terminals:

Two-part Removable Screw Type
Maximum Wire Size 12 AWG (2.5 mm²)

Push button Modules:

Integral Push button Modules
Offered as an Option

Protection:

FRONT OF PANEL IP41
REAR OF ENCLOSURE IP20

Temperature Range:

Operating 0 to +60 C°
Storage -20 C to 80 C°

Humidity:

0 - 95% RH non-condensing.

Weight:

Approximately 0.2kg per Cell 3.5 x 3.5 inch

ORDERING CODE

LB-RM2480 - 04 12 / 24

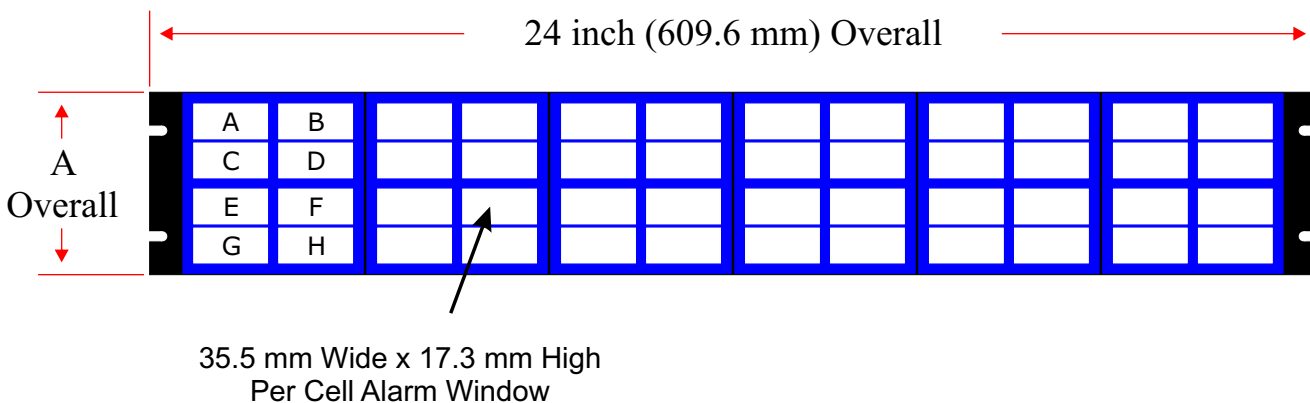
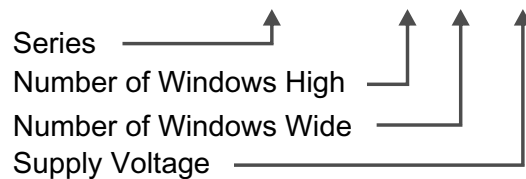




Table Cut Out (Series LB-RM/1980)

Number of Windows High	Number of Windows Wide	A Overall	
		Inch	Millimeter
4	12	3.50	88.90
8	12	7.00	177.80
12	12	10.50	266.70
16	12	14.00	355.60
20	12	17.50	444.50
24	12	21.00	533.40
28	12	24.50	622.30
32	12	28	711.20
36	12	31.50	800.10
40	12	35	889
44	12	38.50	977.9
48	12	42	1066.80
52	12	45.50	1155.70
56	12	49	1244.60
60	12	52.50	1333.50
64	12	56.00	1422.40

Series LB-RM/2490

Rack Mounting Type

Technical Specification

System Size:

Basic Cabinet Module
89 mm (3.5 inch) x 89 mm (3.5 inch)
For Detailed Sizes
Depth Fixed 46 mm (1.8 inch)

Cell Size:

Each Cell 25 x 21 mm (W x H)

Illumination:

Each Cell two White LEDs

Supply Voltage:

12V, 24V, 48V, 115V, 230V (AC/DC)

Window Illumination Current:

Each Cell 15 mA

Legends:

Engraving or Laser Printed

Nameplate Colors:

White, Red, Green, Yellow, Blue and Amber

Bezel Colors:

Black, Dark Grey, Light Grey, Red, Blue, Green, Yellow, Orange and White

Terminals:

Two-part Removable Screw Type
Maximum Wire Size 12 AWG (2.5 mm²)

Push button Modules:

Integral Push button Modules
Offered as an Option

Protection:

FRONT OF PANEL IP41
REAR OF ENCLOSURE IP20

Temperature Range:

Operating 0 to +60 C°
Storage -20 C to 80 C°

Humidity:

0 - 95% RH non-condensing.

Weight:

Approximately 0.2kg per Cell 3.5 x 3.5 inch

ORDERING CODE

LB-RM2490 - 03 18 / 24

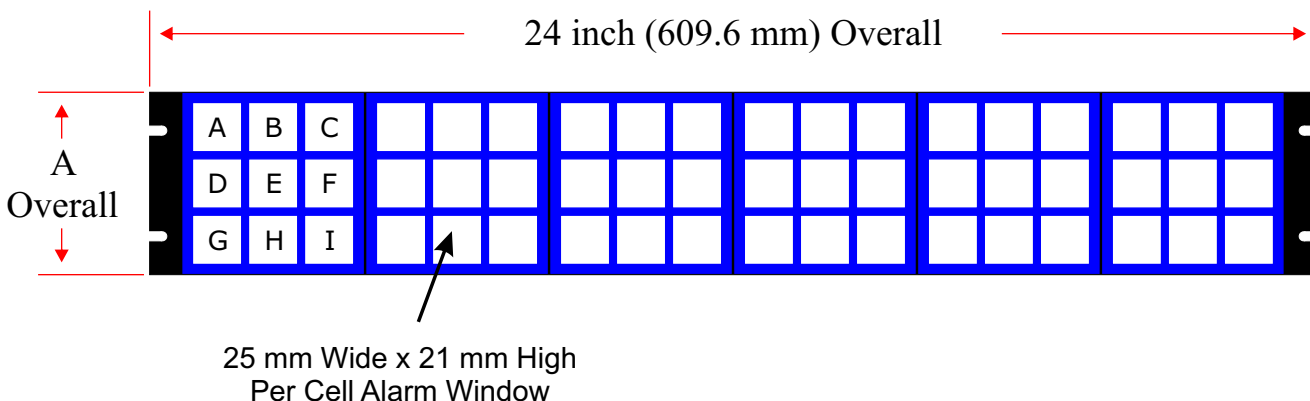
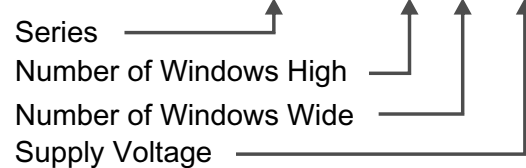




Table Cut Out (Series LB-RM/1990)

Number of Windows High	Number of Windows Wide	A Overall	
		Inch	Millimeter
3	18	3.50	88.90
6	18	7.00	177.80
9	18	10.50	266.70
12	18	14.00	355.60
15	18	17.50	444.50
18	18	21.00	533.40
21	18	24.50	622.30
24	18	28	711.20
27	18	31.50	800.10
30	18	35	889
33	18	38.50	977.9
36	18	42	1066.80
39	18	45.50	1155.70
42	18	49	1244.60
45	18	52.50	1333.50
48	18	56.00	1422.40

Series LB-RM/2412

Rack Mounting Type

Technical Specification

System Size:

Basic Cabinet Module
89 mm (3.5 inch) x 89 mm (3.5 inch)
For Detailed Sizes
Depth Fixed 46 mm (1.8 inch)

Cell Size:

Each Cell 37.5 x 10 mm (W x H)

Illumination:

Each Cell two White LEDs

Supply Voltage:

12V, 24V, 48V, 115V (AC/DC)

Window Illumination Current:

Each Cell 15 mA

Legends:

Engraving or Laser Printed

Nameplate Colors:

White, Red, Green, Yellow, Blue and Amber

Bezel Colors:

Black, Dark Grey, Light Grey, Red, Blue, Green, Yellow, Orange and White

Terminals:

Two-part Removable Screw Type
Maximum Wire Size 12 AWG (2.5 mm²)

Push button Modules:

Integral Push button Modules
Offered as an Option

Protection:

FRONT OF PANEL IP41
REAR OF ENCLOSURE IP20

Temperature Range:

Operating 0 to +60 C°
Storage -20 C to 80 C°

Humidity:

0 - 95% RH non-condensing.

Weight:

Approximately 0.2kg per Cell 3.5 x 3.5 inch

ORDERING CODE

LB-RM2412 - 06 12 / 24

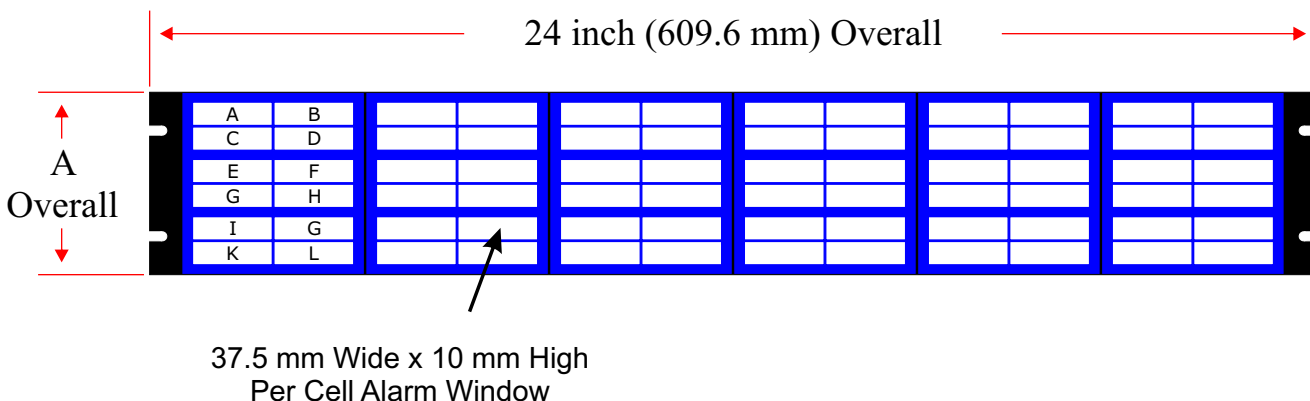
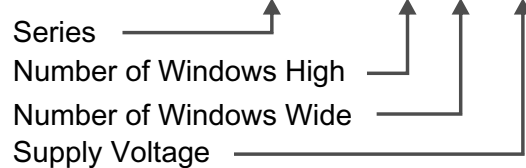




Table Cut Out (Series LB-RM/1912)

Number of Windows High	Number of Windows Wide	A Overall	
		Inch	Millimeter
6	12	3.50	88.90
12	12	7.00	177.80
18	12	10.50	266.70
24	12	14.00	355.60
30	12	17.50	444.50
36	12	21.00	533.40
42	12	24.50	622.30
48	12	28	711.20
54	12	31.50	800.10
60	12	35	889
66	12	38.50	977.9
72	12	42	1066.80
78	12	45.50	1155.70
84	12	49	1244.60
90	12	52.50	1333.50
96	12	56.00	1422.40

Series LB-RM/2416

Rack Mounting Type

Technical Specification

System Size:

Basic Cabinet Module
89 mm (3.5 inch) x 89 mm (3.5 inch)
For Detailed Sizes
Depth Fixed 46 mm (1.8 inch)

Cell Size:

Each Cell 35.5 x 8 mm (W x H)

Illumination:

Each Cell two White LEDs

Supply Voltage:

12V, 24V, 48V (DC)

Window Illumination Current:

Each Cell 15 mA

Legends:

Engraving or Laser Printed

Nameplate Colors:

White, Red, Green, Yellow, Blue and Amber

Bezel Colors:

Black, Dark Grey, Light Grey, Red, Blue, Green, Yellow, Orange and White

Terminals:

Two-part Removable Screw Type
Maximum Wire Size 12 AWG (2.5 mm²)

Push button Modules:

Integral Push button Modules
Offered as an Option

Protection:

FRONT OF PANEL IP41
REAR OF ENCLOSURE IP20

Temperature Range:

Operating 0 to +60 C°
Storage -20 C to 80 C°

Humidity:

0 - 95% RH non-condensing.

Weight:

Approximately 0.2kg per Cell 3.5 x 3.5 inch

ORDERING CODE

LB-RM2416 - 08 12 / 24

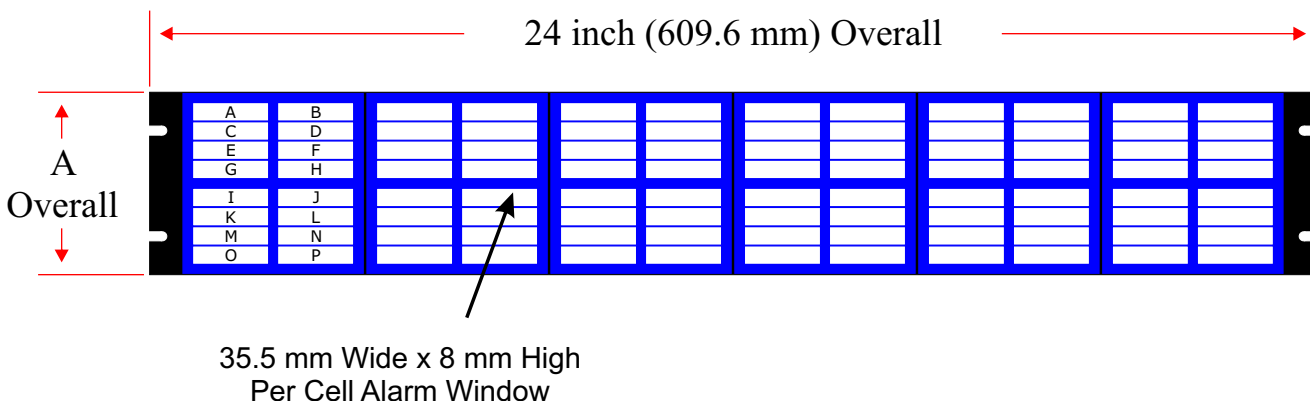
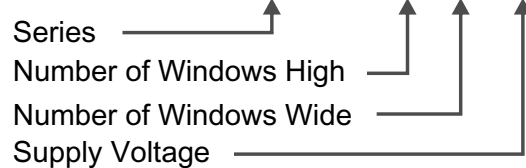




Table Cut Out (Series LB-RM/1916)

Number of Windows High	Number of Windows Wide	A Overall	
		Inch	Millimeter
8	12	3.50	88.90
16	12	7.00	177.80
24	12	10.50	266.70
32	12	14.00	355.60
40	12	17.50	444.50
48	12	21.00	533.40
56	12	24.50	622.30
64	12	28	711.20
72	12	31.50	800.10
80	12	35	889
88	12	38.50	977.9
96	12	42	1066.80
104	12	45.50	1155.70
112	12	49	1244.60
120	12	52.50	1333.50
128	12	56.00	1422.40

Series LB-RM/2418

Rack Mounting Type

Technical Specification

System Size:

Basic Cabinet Module
89 mm (3.5 inch) x 89 mm (3.5 inch)
For Detailed Sizes
Depth Fixed 46 mm (1.8 inch)

Cell Size:

Each Cell 25 x 10 mm (W x H)

Illumination:

Each Cell two White LEDs

Supply Voltage:

12V, 24V, 48V (DC)

Window Illumination Current:

Each Cell 15 mA

Legends:

Engraving or Laser Printed

Nameplate Colors:

White, Red, Green, Yellow, Blue and Amber

Bezel Colors:

Black, Dark Grey, Light Grey, Red, Blue, Green, Yellow, Orange and White

Terminals:

Two-part Removable Screw Type
Maximum Wire Size 12 AWG (2.5 mm²)

Push button Modules:

Integral Push button Modules
Offered as an Option

Protection:

FRONT OF PANEL IP41
REAR OF ENCLOSURE IP20

Temperature Range:

Operating 0 to +60 C°
Storage -20 C to 80 C°

Humidity:

0 - 95% RH non-condensing.

Weight:

Approximately 0.2kg per Cell 3.5 x 3.5 inch

ORDERING CODE

LB-RM2418 - 06 18 / 24

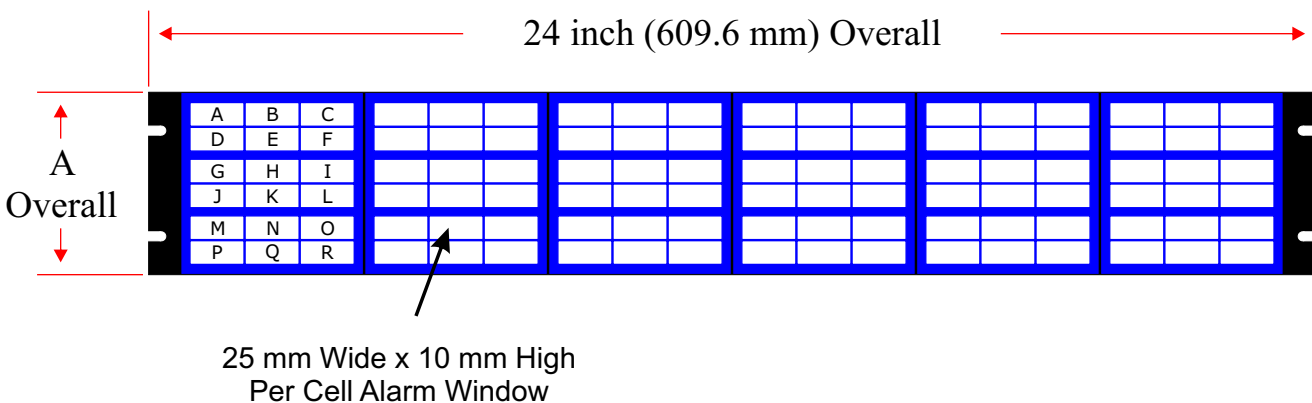
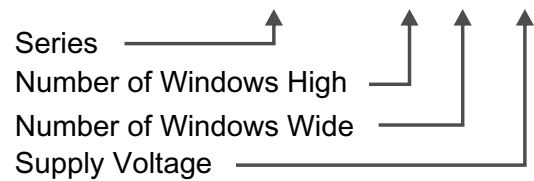




Table Cut Out (Series LB-RM/1918)

Number of Windows High	Number of Windows Wide	A Overall	
		Inch	Millimeter
6	18	3.50	88.90
12	18	7.00	177.80
18	18	10.50	266.70
24	18	14.00	355.60
30	18	17.50	444.50
36	18	21.00	533.40
42	18	24.50	622.30
48	18	28	711.20
54	18	31.50	800.10
60	18	35	889
66	18	38.50	977.9
72	18	42	1066.80
78	18	45.50	1155.70
84	18	49	1244.60
90	18	52.50	1333.50
96	18	56.00	1422.40

Series LB-RM/2424

Rack Mounting Type

Technical Specification

System Size:

Basic Cabinet Module
89 mm (3.5 inch) x 89 mm (3.5 inch)
For Detailed Sizes
Depth Fixed 46 mm (1.8 inch)

Cell Size:

Each Cell 18.5 x 10 mm (W x H)

Illumination:

Each Cell two White LEDs

Supply Voltage:

12V, 24V, 48V (DC)

Window Illumination Current:

Each Cell 15 mA

Legends:

Engraving or Laser Printed

Nameplate Colors:

White, Red, Green, Yellow, Blue and Amber

Bezel Colors:

Black, Dark Grey, Light Grey, Red, Blue, Green, Yellow, Orange and White

Terminals:

Two-part Removable Screw Type
Maximum Wire Size 12 AWG (2.5 mm²)

Push button Modules:

Integral Push button Modules
Offered as an Option

Protection:

FRONT OF PANEL IP41
REAR OF ENCLOSURE IP20

Temperature Range:

Operating 0 to +60 C°
Storage -20 C to 80 C°

Humidity:

0 - 95% RH non-condensing.

Weight:

Approximately 0.2kg per Cell 3.5 x 3.5 inch

ORDERING CODE

LB-RM2424 - 06 24 / 24

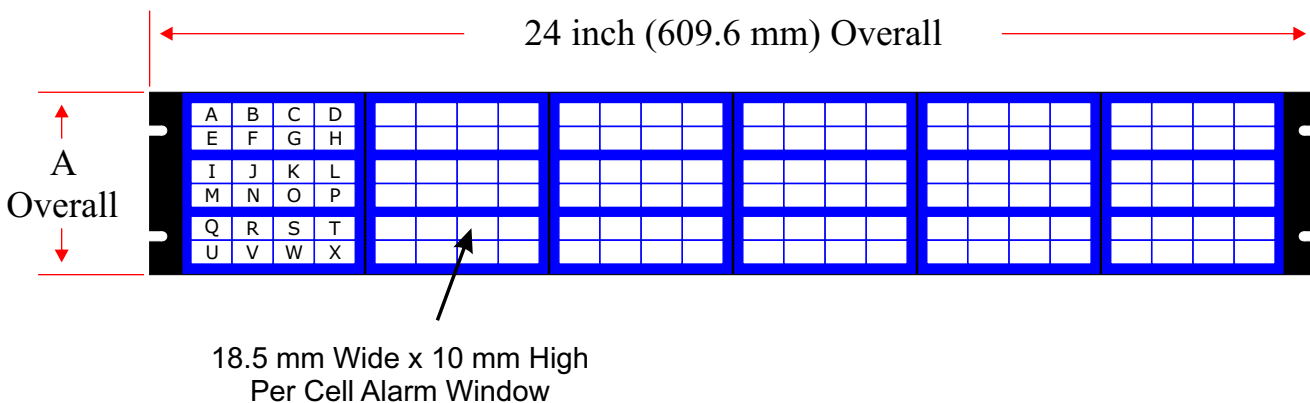
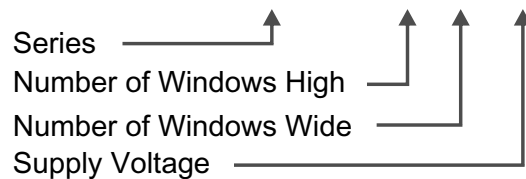




Table Cut Out (Series LB-RM/1924)

Number of Windows High	Number of Windows Wide	A Overall	
		Inch	Millimeter
6	24	3.50	88.90
12	24	7.00	177.80
18	24	10.50	266.70
24	24	14.00	355.60
30	24	17.50	444.50
36	24	21.00	533.40
42	24	24.50	622.30
48	24	28	711.20
54	24	31.50	800.10
60	24	35	889
66	24	38.50	977.9
72	24	42	1066.80
78	24	45.50	1155.70
84	24	49	1244.60
90	24	52.50	1333.50
96	24	56.00	1422.40



Automation

Control

Electrical

Tel : +98 21-66 56 63 88 (3 Line)

+98 21-76 20 17 31

+98 21-76 20 12 63

Fax : +98 21-76 20 12 62

Mobil : 0912 314 26 75

Web : www.satcoannunciator.com

www.satcogroup.com

www.annunciator.ir

www.ledbox.ir

Email : sales@satcogroup.com